

# SIMCHARM

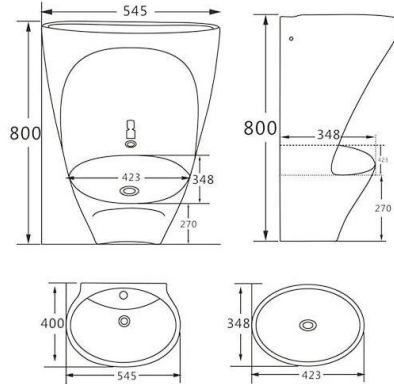
2024 CATALOG



*New*

The Best Wudu Sinks  
for Muslims

[www.wudusink.com](http://www.wudusink.com)



## Dual Level Wudu Sink

### FEATURES

- **Model:** WU01
- **Material:** Ceramic
- **Description:** Upper basin for hand wash, lower sink for feet wash. Lower sink customized sensor tap
- **Applications:** Residential, commercial or public (mosques, parks, offices, etc.)

### PACKING

- **Packing size:** L580×W450×H850mm
- **G.W.:** 45 kgs
- **Packing Qty.:** 1 set/ctn
- **Carton Vol.:** 0.22 CBM
- **40HQ Qty.:** 318 sets



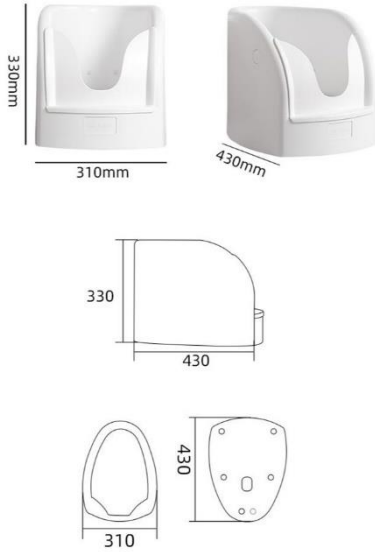
## Wudu Sink with Foot Washer

### FEATURES

- **Model:** WU08
- **Material:** Ceramic
- **Description:** Upper basin for hand wash, lower sink for feet wash. Lower sink customized sensor tap
- **Applications:** Residential, commercial or public (mosques, parks, offices, etc.)

### PACKING

- **Packing size:** L650×W510×H910mm
- **G.W.:** 48 kgs
- **Packing Qty.:** 1 set/ctn
- **Carton Vol.:** 0.30 CBM
- **40HQ Qty.:** 210 sets



## Automatic Plastic Wudu Foot Washer

### FEATURES

- **Model:** WU06
- **Material:** PP
- **Description:** Automatic plastic wudu foot washer
- **Applications:** Residential, commercial or public(mosques, parks, offices, etc.)

### PACKING

- **Packing size:** L490×W360×H380mm
- **G.W.:** 5.8 kgs
- **Packing Qty.:** 1 set/ctn
- **Carton Vol.:** 0.067 CBM
- **40HQ Qty.:** 1010 sets
- **20GP Qty.:** 440 sets



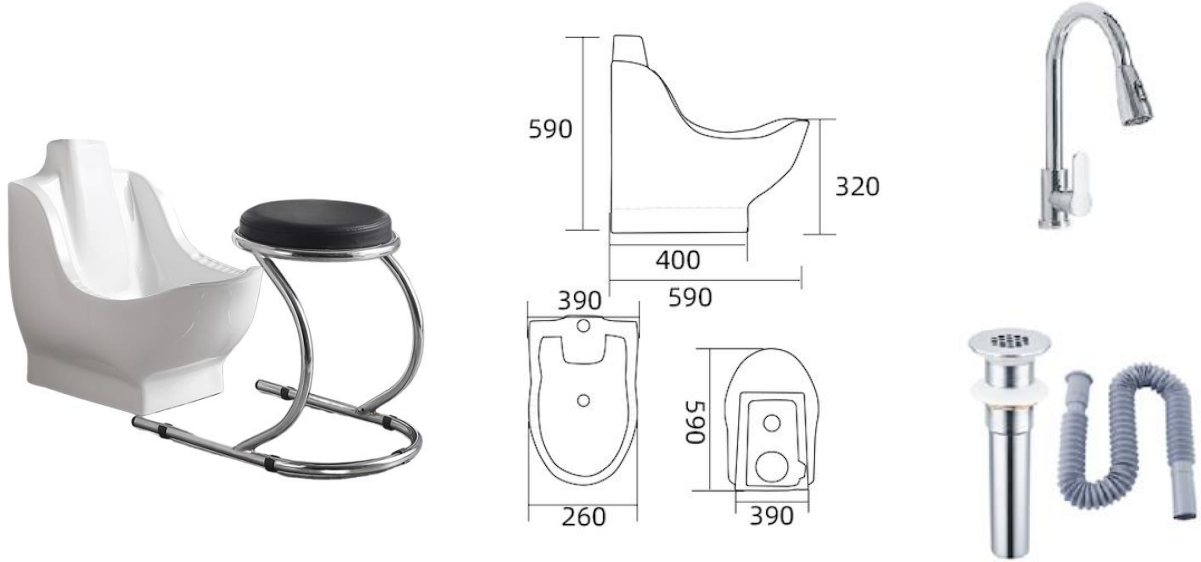
## Flex Wudu Wash Station

### FEATURES

- **Model:** WU09
- **Material:** Acrylic
- **Description:** Integrated design for hand wash and foot wash
- **Applications:** Residential, commercial or public (mosques, parks, offices, etc.)

### PACKING

- **Packing size:** L690×W1150×H590mm
- **G.W.:** 25 kgs
- **Packing Qty.:** 1 set/ctn
- **Carton Vol.:** 0.47 CBM
- **40HQ Qty.:** 135 sets



## Flex Wudu Sink

### FEATURES

- **Model:** WU07
- **Material:** Ceramic
- **Description:** Smart design for foot-rest on both side
- **Applications:** Residential, commercial or public(mosques, parks, offices, etc.)

### PACKING

- **Packing size:** L650×W450×H660mm
- **G.W.:** 33 kgs
- **Packing Qty.:** 1 set/ctn
- **Carton Vol.:** 0.19 CBM
- **40HQ Qty.:** 350 sets



**SIMCHARM CO., LTD.**

[www.wudusink.com](http://www.wudusink.com)